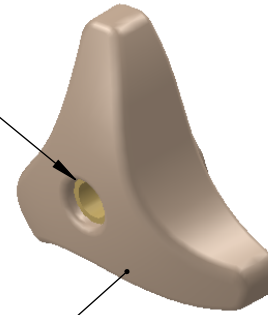
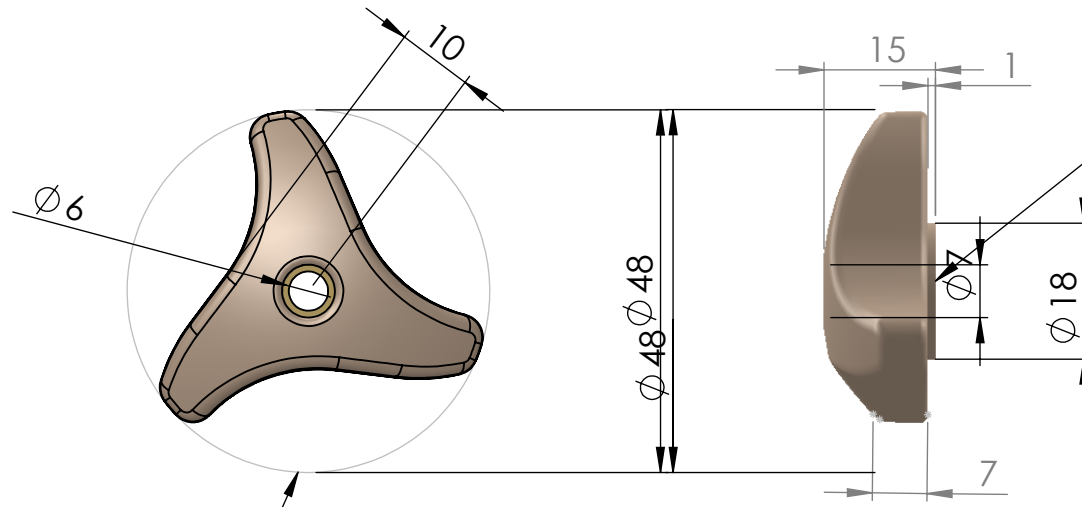


M6 brass thread  
or S/S bolt means  
it can be used in  
a marine enviroment



TDS Kopa  
glass reinforced nylon  
Means it is very robus  
and UV resistant



Can be supplied  
as a nut or bolt

Large diameter  
knob so it can  
be tightened very tightly  
by hand

Low profile knob stands  
out a minimal distance  
therefore more flush fitting  
than other types of knobs  
on the market

6mm Y Lock nut  
Drawn: Wayne Manson  
Date : 26.11.15  
©Multifit International Ltd