

BedSide Transfer Rail MF BTR.1 with Insert

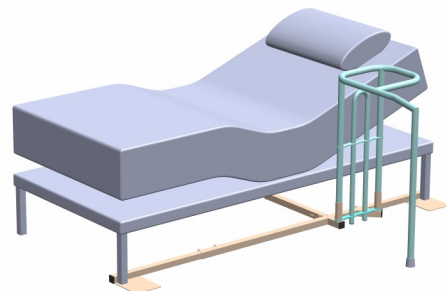


Get in & out of your Bed with less effort.



NEW improved Transfer Rail.

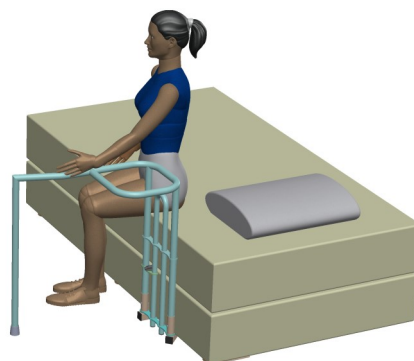
- 1 Back Fixing holds the Rail against the mattress.
- 2 Central Bars prevent entrapment.



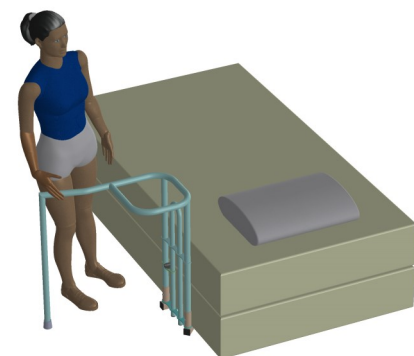
The Rail provides a handhold beside your bed and extending from your bed.

Providing a strong handhold at your bedside.

- The Bedside Transfer Rail provides a handhold for repositioning in bed, sitting up and transferring on or off your bed. It also provides a handhold when standing at your bedside to assist with dressing and personal care.
- The extending Rail can also be use to assist transfers out of a wheel chair, or steady yourself when transferring from a walker.
- The base section is telescopic allowing the rail to be fitted to any length bed. Two steel plates fit under the legs of the bed front and rear to anchor the base and provide stability. The hand rail fits into this base providing your client with a really solid handrail.



The Rail can assist with repositioning on the bed and with sitting up and lying down.



The Rail can also assist with standing from the bed and transferring on and off your bed.

SPECIFICATIONS

Max user weight	130Kg
Distance Rail extends from the bed	600mm
Rail Height	810mm
Rail Diameter	32mm
Can be used with any bed which has a gap of 35mm between the bed and floor	
NOT FOR USE WITH HI /LOW PROFILE HOSPITAL BEDS	

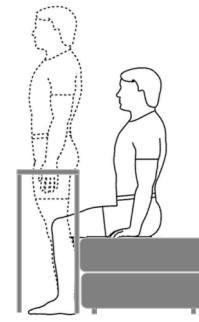


Made with pride
In New Zealand
for over 25 years

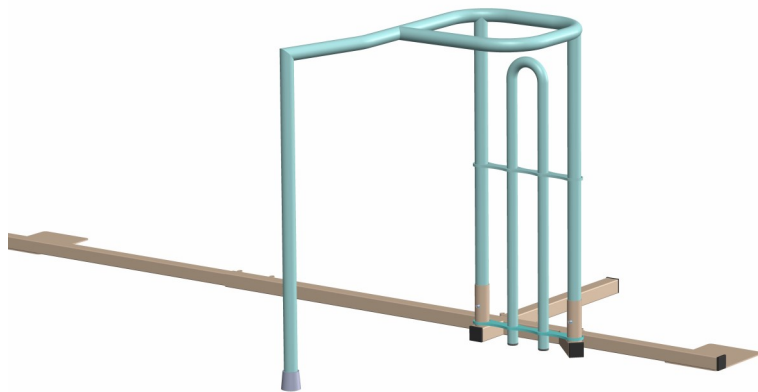


Multifit Hospital Supplies Ltd © 2020,
Ph: 0800 102 803, E: reception@multifit.co.nz
Website: www.multifit.co.nz 090720

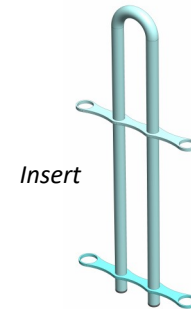
MF BTR Insert & installation instructions



Get in & out of your Bed with less effort.



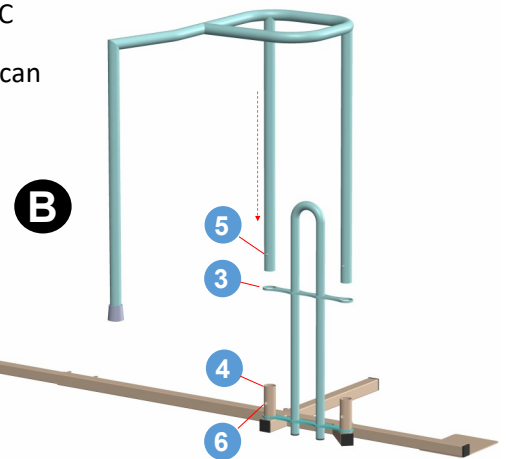
The BedSide Transfer Rail with Insert fitted



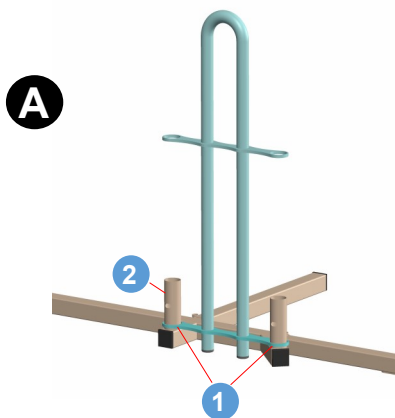
Insert

Safety First To resist Head Traps Older models of the BedSide Transfer Rail can easily be retrofitted with an Insert by following steps A,B,C

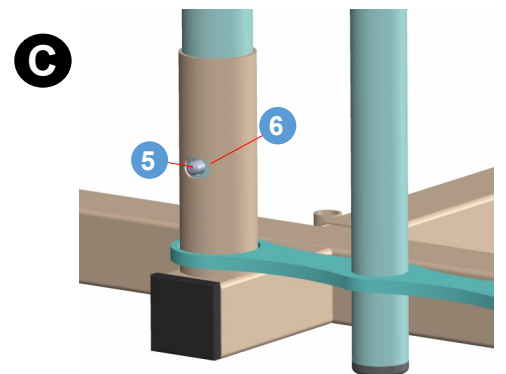
- Ensure the Rail is positioned against the mattress so no entrapment can occur between the mattress and the Rail
- Not for use with Electrically Height adjustable beds
- Not for use with Children



Replace the Handrail by sliding it through the Top Loops of the Insert (3) and down into the Base Tubes (4) so the Spring Clips (5) pop into the holes of the Base Tube (6)



With the handrail removed, slide the lower loops of the Insert (1) over the Base Tubes (2)



SPECIFICATIONS

Max user weight	130Kg
Distance Rail extends from the bed	600mm
Rail Height	810mm
Rail Diameter	32mm
Can be used with any bed which has a gap of 35mm between the bed and floor	
NOT FOR USE WITH HI /LOW PROFILE HOSPITAL BEDS	



Made with pride
In New Zealand
for over 25 years



Multifit Hospital Supplies Ltd © 2020,
Ph: 0800 102 803, E: reception@multifit.co.nz
Website: www.multifit.co.nz 090720