

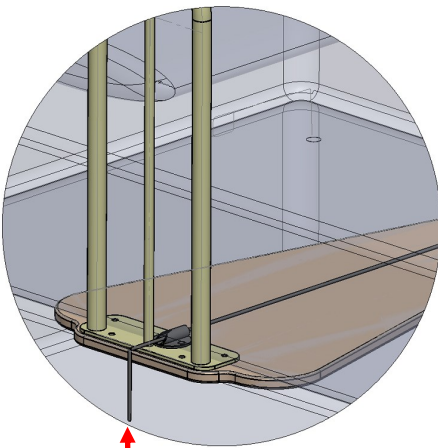
# Bed Lever MF 3/1AS-CC

Loop with divider rail Handle / Cord and Cleat - resists head traps

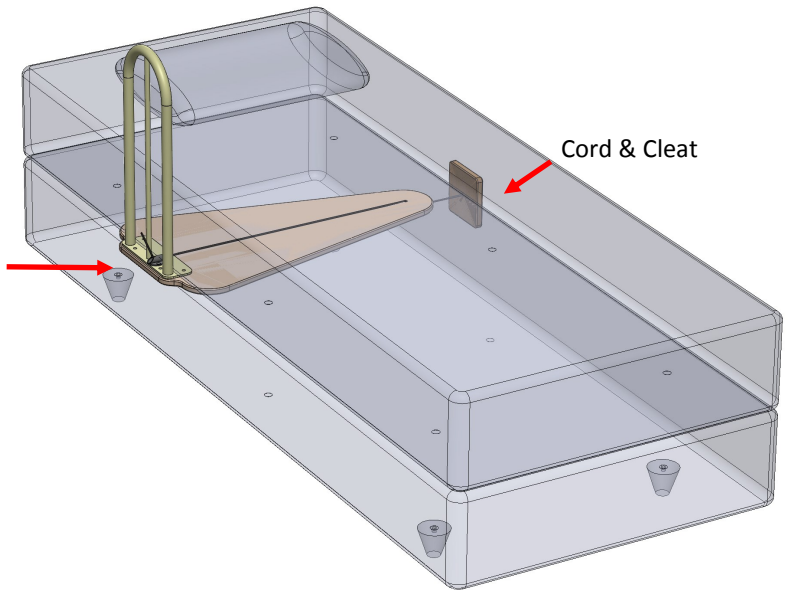


Placed between the mattress and the base of your bed. The Bed Lever provides a useful handhold to assist you on and off your bed safely. Correct fitting is essential to the safe use of this product. Take care to read the Use & Fitting Instructions. Also ensure that the Bed Lever is refitted the same way every time the bed is made.

Max user weight	150kg (25 Stone) when fitted to a double bed or larger
Loop size	550 H x 225W (81mm between the vertical tubes)
Base size	465 W x 835 L x16 D (all measurements in mm)
Suits bed types	Divan & Inner-sprung beds (all sizes). Does not suit profile beds.
Cleaning	Clean with a soft cloth moistened with soapy water.

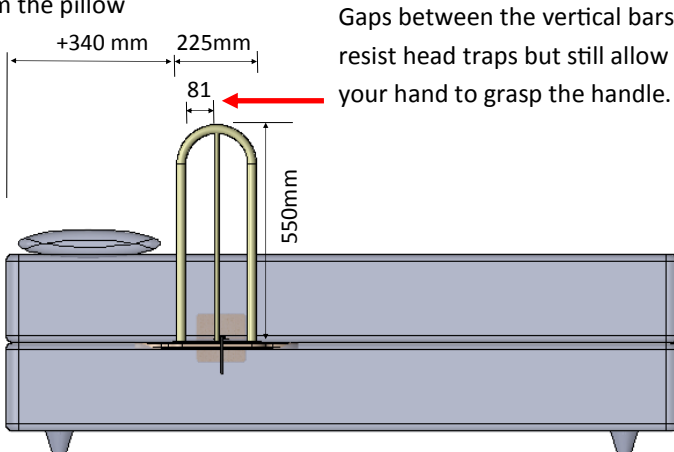


MF 3/1AS-CC

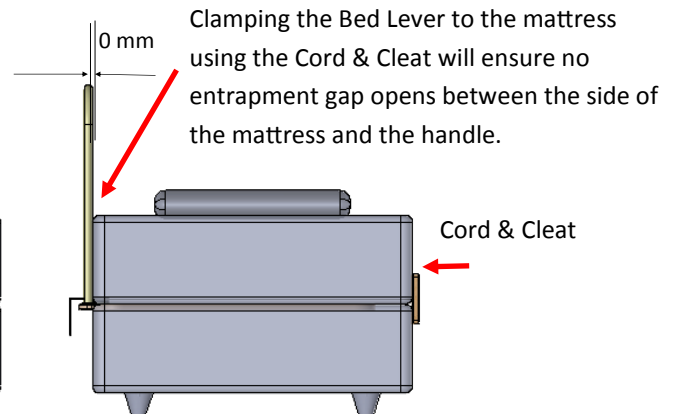


Cord & Cleat can be released by pulling on the cord where it extends under the handle. This means the Bed Lever can be:  
 1/. Easily removed in an emergency.  
 2/. Easily refitted each time the bed is made.

Keep the Loop handle away from the pillow



Gaps between the vertical bars resist head traps but still allow your hand to grasp the handle.



Clamping the Bed Lever to the mattress using the Cord & Cleat will ensure no entrapment gap opens between the side of the mattress and the handle.