

# Standard Chair Raiser

# MF 1/1



For square lounge chairs that do not rock or recline, the standard chair raiser is a perfect solution.


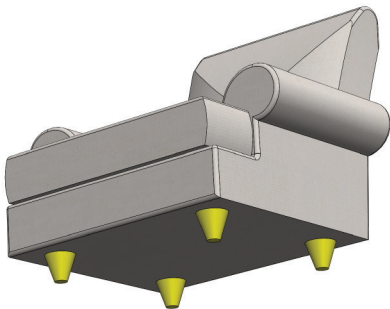
- **Re Issuable** - Robust timber / steel construction enables this item to be re issued easily.
- **Cost effective** - Raisers sold 25 years ago are still in service today.
- **Easy to fit** - Telescopic adjustment ensures you get the perfect fit easily.
- **Safe** - Independently tested for strength and stability to ensure your safety.
- **Max user weight** - 380Kg + the furniture.
- **Unique clamping action** - the telescopic sides hold the raiser to a fixed size that will not work lose over time.
- **Chair stays in place** - 20mm lip around the perimeter holds the raiser to the chair.
- **Light weight** - easy transport / handling



## Guarantee

1. Delivery within five working days from order or we will treat your entire department to a morning tea.
2. The equipment will fit or we will customise one that will.
3. The equipment will retain its original function for at least two years or we will replace it at no extra cost.



Raiser			Base this raiser fits	
				
Height	Size	Supplier Code	Order Code	JDE#
(Std) Raiser Chair Platform				
150 mm	483 x 528 mm to 816 x 873 mm	MF 1/1-150	K1-150	760376
100 mm		MF 1/1-100	K1-100	760368
75 mm		MF 1/1-75	K1-75	760392
50 mm		MF 1/1-50	K1-50	760384