

telecare-enabled
neptune[™]
bath lift

neptune[™]
bath lift

Operating instructions

 **mountway**[™]
bringing independence to life

Operating instructions

Please ensure both yourself and any helpers read these instructions carefully before using your bath lift. These operating instructions should be retained for future reference.

This bath lift is designed and manufactured to assist individuals in getting in and out of the bath. It should not be used for any other purpose. Do not use it in combination with other lifting or moving devices. If you are unable to get out of the bath unaided, do not bathe without someone on call to help in an emergency.

Contents

Unpacking the bath lift

1. Unpacking the bath lift	3
----------------------------------	----------

Before you start

2. Charging the battery	3
3. If you have a telecare-enabled bath lift	4
4. Preparing the bath for installation	5
5. Installing the bath lift	5

Using the bath lift

6. Connecting the hand control	6
7. Using the bath lift	6

Removing and storing the bath lift

8. When the bath lift is not in use	8
9. Removing the bath lift from the bath	8
10. Cleaning	9

Warranties, maintenance & servicing

11. Maintenance and servicing	9
12. Warranty	10

Symbols

13. Symbols	10
-------------------	-----------

Technical data

14. Technical data	11
--------------------------	-----------

Troubleshooting

15. Troubleshooting	13
---------------------------	-----------

Parts list

16. Accessories	16
17. Parts list	18

Diagrams for operation and explanation of use are on the fold-out diagram sheet attached to the rear of this booklet

1. Unpacking the bath lift

Open the packaging and ensure the bath lift is not damaged and that all parts are included. If it has been damaged in transit, or parts are missing, contact your supplier immediately.

Inside the box you will find:

- A bath lift, complete with two side flaps and hand control attached (**see fig 1**)
- A battery (**see fig 2**)
- Battery charger with charging cradle attached (**see fig 2**)

If your bath lift is supplied with optional cushioned covers, fit them at this stage (see cover fitting instructions).

We suggest that the bath lift is always separated and carried as two lighter, individual sections.

- After opening the packaging, turn the bath lift on its face (**as shown in fig 3**).
- Pinch the wings on the transportation clip (located on the aluminium tube behind the backrest) (**see fig 3**) and slide off the tube. DO NOT discard it, as it may be required for carrying/moving the bath lift in the future.
- Hold the rear suction feet and pull the base frame gently towards you until the aluminium tubes slide out of the upper and lower holes behind the backrest (**see fig 4**).
- Now place the base frame upright on its suction feet on the floor and place the seat carefully on its side. These will now be two separate sections.

Before installing or using the bath lift for the first time, ensure you charge the battery (see section 2, "Charging the battery" below).

2. Charging the battery

Before first operation of your bath lift or after long periods of non-use (typically 7-10 days), fully charge the battery as follows. A flat battery will take up to 2 hours to charge.

- Slide the battery into the track on the charging cradle until it clicks into place (**see fig 2**).
- Plug the charger into the mains socket outside the bathroom and switch on the electricity supply.
- The light indicator on the charger box will initially flash in a quick sequence of red, green, red, green, before a constant red light appears to indicate charging is in progress (**see fig 2**).
- When the battery has been fully charged, the red light on the charger box turns to a constant green light, which indicates the battery is ready for use, and can remain continuously on charge until you are ready to take your bath.
- When you are ready to use your fully charged battery (see paragraph iv), switch off the mains socket or remove the charger from the mains socket, **then ensure you disconnect the battery from the charging cradle.** (This prevents the battery discharging and will reset the charger ready for its next use.)

We recommend charging the battery after each bath wherever possible and leaving it on charge until your next bath. The battery cannot be overcharged.

NOTE:

- Do not charge in the bathroom or any humid area. Always charge in a dry area, ensuring your hands are dry first.
- Do not cover the battery or charger whilst charging.
- Always charge on a hard surface.
- During charging, the temperature of the charger box may exceed 40°C but will gradually decrease once the constant green light appears. Users with sensitive/damaged skin should take care and allow approximately 3 hours from start of charging before handling the box.
- Ensure that no metal objects touch the contacts on the battery, as this will damage the battery.
- Use only the Mountway charger supplied to charge the battery and for no other purpose.

3. If you have a telecare-enabled bath lift

The telecare-enabled bath lift has been designed to integrate with the Tunstall Lifeline 400, 4000+ and Connect+ units. The telecare-enabled bath lift can be added to an existing monitoring solution or as part of a new installation to suit individual needs.

If you have a telecare-enabled bath lift, you will find a telecare-enabled battery inside your bath lift box rather than the standard battery (**see fig 5**).

Programming the telecare-enabled bath lift to Tunstall 400, 4000+ and Connect+ home units

- i) Press and hold down the green cancel key located on the Lifeline unit (**see fig 6**) until it beeps (approx. 5 seconds), then release the green cancel key and the Lifeline unit will beep twice. The red alarm button will flash slowly.
- ii) Press the green cancel key again until the Lifeline unit beeps, then release the cancel key and the Lifeline unit will beep twice. The red alarm button will now flash rapidly.
- iii) Press the red button on the end of your bath lift's telecare-enabled battery (**see fig 5**) and a red light will illuminate at the end of the battery. The Lifeline unit will beep to confirm acceptance.
- iv) Press and release the green cancel key on the Lifeline unit and the unit will beep.
- v) Make a test call using the programmed telecare-enabled battery (**see fig 5**) by pressing its red button and ensure it raises an alarm call.

Making an alarm call

- i) To raise an alarm while using the bath lift, press the red button on the end of the battery (**see fig 5**). This will allow you to talk to the control centre operator 'hands free' using the powerful speaker and microphone of the Lifeline 400, 4000+ and Connect+.
- ii) The control centre operator will summon the appropriate assistance from your carer, warden or emergency services.

NOTE:

An alarm call cannot be raised unless a Tunstall Lifeline 400, 4000+ or Connect+ home unit is installed in your home and the telecare-enabled battery is programmed correctly to this home unit (see section "Programming the telecare-enabled bath lift to Tunstall Lifeline 400, 4000+ and Connect+ home units" above).

4. Preparing the bath for installation

- i) Remove any non-slip mats from the bath.
- ii) Ensure the bottom of the bath is clean and smooth, with no oil or bath cleaner residues that will prevent the suction feet from sticking.
- iii) The suction feet may not be suitable in baths that have been re-enamelled or that have rippled or textured surfaces.
- iv) It is essential that the side flaps (**see fig 1**) do not catch under any obstructions such as integral bath handles, handrails, soap dishes and taps when rising. If your bath has integral handles and the side flaps are likely to catch, optional side flap protectors are available (see section 16, "Accessories"). These hook over integral bath handles (**see fig 7**) and help guide the side flaps smoothly over the handles.
- v) Ensure there are no overhead obstructions at the rear of the bath, where the bath lift will be positioned, e.g. wall-mounted shelves /cupboards or shower fixtures, as they may interfere with the upward movement of the seat. Where possible, remove such obstructions. Alternatively, the bath lift must be placed further forward in the bath to avoid the obstruction (see section 5, "Installing the bath lift").

5. Installing the bath lift

If you have not already done so, separate the seat and base frame as explained at the start of these operating instructions (see section 1, "Unpacking the bath lift").

- i) Pick up the base frame by its aluminium tubes then place the suction feet on the flat bottom of the bath and as far back as possible at the opposite end to the taps. Ensure the support block on the rear of the base frame (**see fig 8**) is as close as possible to the back of the bath. If there are any overhead obstructions at the back of the bath that cannot be removed and are likely to interfere with the upward movement of the bath lift, move the base frame further forward in the bath until clear of the obstacle.
- ii) Now press firmly down on the base frame, ensuring all four suction feet are attached to the bath surface.
- iii) Lift the seat upright, ensuring both side flaps are folded in, with the hand control underneath them.
- iv) Align the lower two holes located behind the backrest with the aluminium tubes on the base frame (**see fig 8**) and lower the seat gently, ensuring that the tubes also slide through the upper two holes.
- v) Check that the actuator end (i.e. the end of the drive unit) is fully located in the base frame socket (**see fig 9**).
- vi) Unfold the two side flaps so they rest against the sides of the bath. (Side flaps ease transfer on and off the bath lift and also prevent finger entrapment). If side flap protectors are required and have been fitted to integral bath handles, ensure the two side flaps are resting substantially on them. If the side flaps are still likely to catch under handles, move the side flap protectors as far as possible along the handles until the side flaps are over them (**see fig 10**). If this still does not improve the flaps' position on the side flap protectors, move the bath lift slightly forward in the bath. Alternatively, a side flap protector extension kit is available (see section 16, "Accessories").
- vii) Fill the bath with water to the required level ensuring the actuator casing (**see fig 8**) is not submerged in water. Check that the water temperature is not too hot before using the bath lift.

viii) The battery can now be connected to the hand control on your bath lift (see section 6, "Connecting the hand control").

NOTE:

- The transportation clip on the tube behind the backrest **MUST** be removed before the bath lift can be operated.

6. Connecting the hand control

NOTE:

If the battery has not been used before or has not been used for a long period (typically 7-10 days), ensure you place it on charge before using the bath lift.

- Slide the fully charged battery into the tracks on the hand control (**see fig 11**) until it clicks into place.
- Always check the battery status indicator on the hand control before using the bath lift (**see fig 12**). Press the UP button and observe the following guidelines:
 - If GREEN light, proceed with your bath, provided the battery has been charged within the last 7-10 days.
 - If FLASHING GREEN LIGHT, proceed with your bath, provided the battery has been charged within the last 7-10 days. Then charge immediately afterwards (see section 2, "Charging the battery").
 - If RED light, do **NOT** use the bath lift. Charge **IMMEDIATELY** (see section 2, "Charging the battery").
 - If in any doubt, recharge the battery before use (see section 2, "Charging the battery").

NOTE:

The battery is for use solely with Mountway bath lifts and cannot be used to operate any other product.

7. Using the bath lift

NOTE:

Ensure all four suction feet are attached to the bath surface before each use.

- To raise the bath lift, press the UP button on the hand control (**see fig 12**). If the side flaps are caught on any obstruction, immediately lower the bath lift by pressing the DOWN button on the hand control. Pull each side flap free from the obstruction, then resume the lifting operation.
- As the bath lift reaches the top of the bath, the side flap on the side you will be getting on will fold out to form a transfer platform.
- When the bath lift's seat and side flap are level with and supported by the top of the bath, release your finger from the UP button and the bath lift will stop.

- iv) Sit on the side flap and move onto the seat, ensuring no part of your body can become trapped as you do so. You may find it easier to transfer if you wet the seat and the side flaps first. A slide and swivel aid is available, should you find transferring difficult (see section 16, "Accessories"). Turn as you lift each leg over the side of the bath then make yourself comfortable on the seat.
- v) Before lowering the bath lift, extend your feet out in front of you and keep hands above the seat to avoid any risk of entrapment.
- vi) To lower yourself to the bottom of the bath, press the DOWN button on the hand control (**see fig 12**). When the button is released, the bath lift will stop and remain at that position until the button is pressed again.
- vii) When you have reached the bottom of the bath, the bath lift will automatically stop.
- viii) Whilst bathing, you may use the suction cups on the battery to attach the hand control and battery to the edge of the bath or to a tiled wall. **If the hand control and battery fall into the water, there is NO danger as both are waterproof. Ensure you wipe the battery dry before charging.**
- ix) When you have finished bathing, retrieve the battery and hand control from where you have stored it by pulling the tags on the suction cups. Press the UP button to raise the bath lift. When the button is released, the bath lift will stop and remain at that position until the button is pressed again.
- x) Once the side flaps are level with the top of the bath, remove your finger from the UP button and move sideways onto the side flap.
- xi) Turn whilst lifting each leg out of the bath.
- xii) Drain the bath.

NOTE:

- If the RED light appears on the hand control whilst lowering, the bath lift will not go down any further. If this happens, press the UP button and the bath lift will raise you to the top of the bath. Charge the battery **immediately**.
- In the event of an emergency, sliding the battery out of the hand control can instantly terminate all bath lift movement.
- When the bath lift reaches its maximum limit of travel (up or down), there will be a short delay before it will operate again.
- The bath lift is not designed for continuous operation. Allow at least 15 minutes between baths.
- Do NOT allow the actuator behind the backrest to be placed under a constant flow of water (e.g. running tap) and ensure it is not totally submerged in water.

8. When the bath lift is not in use

- i) If you wish to clean the bath lift whilst it is in the bath (see section 10, "Cleaning"), we recommend doing so when it is at its highest position in the bath. This allows access for cleaning both the bath and the underside of the bath lift.

ii) If the bath lift is stored in the bath, ALWAYS ensure the seat is lowered to the bottom of the bath.

NOTE:

If the RED light has appeared on the hand control preventing you from lowering the bath lift to the bottom of the bath for storage, recharge the battery immediately (see section 2, "Charging the battery") and lower the bath lift to the bottom of the bath as soon as possible thereafter.

- iii) Disconnect the battery and place on charge ready for your next bath (see section 2, "Charging the battery"). **Note:** If not charging after each bath, ensure **you leave the battery connected to the hand control**. Disconnect from the hand control only if the bath lift is being removed from the bath.

9. Removing the bath lift from the bath

- i) Ensure the bath lift is in its lowest position at the bottom of the bath.
- ii) Remove the battery from the hand control.
- iii) Place the hand control on the seat and fold the side flaps in.
- iv) Hold the top of the backrest with both hands and lift upwards in a straight line until the seat slides clear of the base frame tubes.
- v) Place the seat carefully on its side on the floor.
- vi) Now hold the top of one of the tubes and as you pull the suction release tags on each of the rear suction feet, tilt the base frame forward (see fig 13).
- vii) Continue to release the tags on the front suction feet and lift the base frame out of the bath.
- viii) Turn the seat on its face on the floor (see fig 14), then pick up the base frame and insert the aluminium tubes first through the lower 2 holes behind the backrest then all the way through the upper 2 holes (see fig 14).
- ix) Reposition the transportation clip on the base frame tube.
- x) Stand the bath lift upright, then wrap the hand control cable several times clockwise around the top of both tubes. Now tuck the hand control in between the cable coils (see fig 15) with the green cover facing the backrest.
- xi) Store the bath lift upright, ideally against a wall or lay it on its side.

NOTE:

- When lifting any part of the bath lift, always lift close to the body.
- To avoid accidental damage to the hand control whilst carrying or storing, ensure it is prevented from dangling freely.
- Do not attach the battery to the hand control when the seat is not assembled to the base frame.
- Only operate the bath lift when the seat is fully assembled onto the base frame.

10. Cleaning

Clean the bath lift as frequently as you clean your bath, using non-abrasive cleaners.* If used communally, we recommend disinfecting the bath lift after each use. SOLVENT-based cleaners, such as white spirit, should **NOT** be used.

- i) To disinfect the bath lift, use a soft brush or cloth and wipe down with a sterilising solution or anti-bacterial cleaner. Rinse the product with clean water, then wipe and dry using a clean cloth.
- ii) Bath/medicinal oils and other solutions are easily removed with washing-up liquid. Do not allow oils or other additives to build up. They should be removed frequently otherwise, over the course of time, they may lead to degradation of the suction feet and/or discolouration of the bath lift.
- iii) The bath lift can be cleaned in an automated washing machine (to a maximum temperature of 73° C for 3 minutes), however the battery **MUST** be removed and washed by hand. The battery must not be subjected to high temperature cleaning.
- iv) Do not clean or rinse the actuator under a constant flow of water, e.g. running tap, or totally submerge it in water.
- v) If your bath lift is fitted with cushioned covers, ensure you remove them on a regular basis to clean the bath lift surfaces.

It is also advisable to clean the bath surface under the suction feet from time to time.

* Cleaning agents should be used in accordance with their manufacturer's guidelines.

NOTE:

If the actuator is detached from the seat for cleaning, ensure the battery is always disconnected. The actuator should never be operated unless it is fitted to the seat and the bath lift is fully assembled.

11. Maintenance and servicing

Repairs and servicing must be entrusted to a Mountway authorised dealer or engineer.

The bath lift should be inspected annually by a Mountway authorised dealer or engineer, who will check that there are no loose fittings or any other evidence of mechanical damage.

Intended life - bath lift

The durability of the bath lift has been tested in accordance with BS EN 10535:2006 (Hoists for the transfer of disabled persons - requirements and test methods). If serviced and used in accordance with the operating instructions, the bath lift and all parts (excluding battery) will achieve 11,000 lifting cycles or 5 years' use, whichever is the soonest.

Intended life - battery

It is essential that the operating instructions with regards to battery use and charging is adhered to. The battery life expectancy is 500 charge cycles or 1 year's use, whichever is the soonest. We recommend the battery be replaced accordingly in order to obtain the best performance from your bath lift.

12. Warranty

This product is sold with the benefit that, in the event of any defect of manufacture or material appearing on the frame within 5 years of the date of receipt of the product, the defect will be rectified free of charge, provided that:

- i) Reasonable evidence is provided (e.g. purchase invoice or delivery note) that the product was purchased not more than 5 years prior to the date of claim; and
- ii) The defect is not attributable to accidental damage (either in transit or otherwise), fair wear and tear, willful damage, misuse or unauthorised repair.

The battery is guaranteed for 1 year to power (when fully charged) one bathing cycle* at full load (25 stone/160kg/350lbs). The actuator and consumables (e.g. suction feet and the charger) are guaranteed for 2 years.






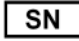



Consumers' statutory rights are not affected.

* The bathing cycle: (for one bath)

It is assumed that the bath lift will be raised from the bottom to the height of the bath and then lowered into the water supporting a person of up to 25 stone/160kg/ 350 lbs. After bathing, the bath lift will raise the person to the height of the bath then the seat will be lowered to the bottom of the bath for storage.

13. Symbols

To comply with international standards for medical equipment, the following symbols are found on the bath lift's labels:

Symbol	Explanation
	Only direct current from a small battery is used to power your bath lift. There is NO connection to mains electricity when in use, so there is no risk of electric shock.
	The bath lift is categorised as type B medical equipment and meets international standards for electrical safety.
IP66	The bath lift is sealed to the international standards against the effects of water spray.
IP67	The battery is sealed to the international standards against the effects of immersion in water to a depth of 1 metre/39.37 inch.
IP68	The hand control is protected against long periods of immersion in water under pressure.
	This symbol is found on the hand control and means the light represents the battery status.
	PLEASE READ THE INSTRUCTIONS BEFORE INSTALLATION OR USE.
	Do not bin/dispose.
	Serial number.
	Re-order number.
	Maximum load – lifting capacity (person).
	Caution! Surface hot to touch.

14. Technical data

The bath lift seat is made of glass-filled polypropylene. The base frame is aluminium casting which is coated with electrostatically deposited polyester. The tubes are anodised aluminium. The hand control and battery are made of ABS. The hand control button cover is made of thermoplastic elastomer.

The bath lift is in the official category of "internally powered equipment" and is not suitable for use in the presence of flammable anaesthetic mixture with air or nitrous oxide.

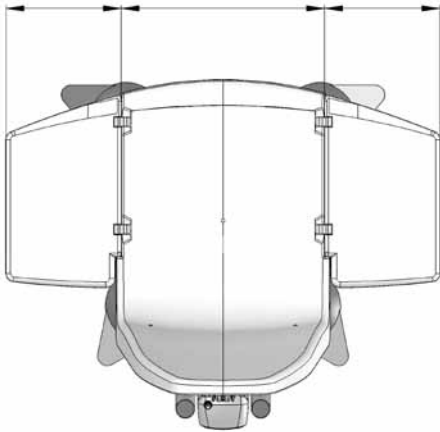
The equipment is tested in accordance with:

- BS EN 10535: 2006
- BS EN 60601-1: 2006
- The European Council Directive 93/42/EEC relating to Medical Devices

The bath lift complies with the WEEE directive.

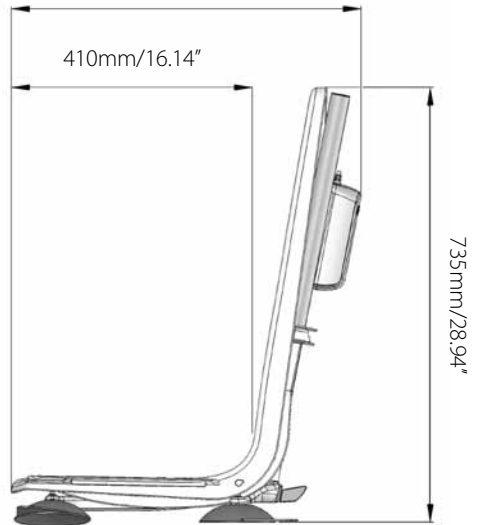
DISPOSAL: The plastic, metal parts, packaging materials and suction feet are recyclable but the Nickel Metal Hydride (NiMH) battery, should be disposed of only by returning it to your supplier, the manufacturer or an authorised disposal point.

190mm/7.48" 350mm/13.78" 190mm/7.48"



580mm/22.83"

410mm/16.14"



735mm/28.94"

Bath Lift	
Lifting capacity (person)	160kg/25 stone/350lbs
Net weight (excluding battery)	9.5kg/20.94lbs
Seat assembly weight	5.8kg/12.79lbs
Base frame weight	3.7kg/8.16lbs
Seat height UP	435mm/17.1in
Seat height DOWN	70mm/2.8in
Power input	14.4V dc nominal 7A max
Duty cycle	No more than one bath per 15 minutes
Degree of protection	IP66
Hand Control (Battery)	
Input	14.4V dc nominal 1.0A
Output	14.4V dc nominal 7A max
Degree of protection	IP68
Battery	IP67
Battery Charger	
Input	100-240V ac 50-60Hz 1.0A
Output	14.4V dc nominal 1.0A

Operating and charging

Temperatures	
Max	40°C (104°F)
Min	0°C (32°F)

Shipping and storage

Weight (packaged)	12.3kg (27.12lbs)
Shipping volume	0.2m ³ (7.1ft ³)
Temperatures	
Max	40°C (104°F)
Min	-10°C (14°F)
Humidity	
Max	90% RH
Min	10% RH
Pressure	
Max	125kPa (18.4psi)
Min	73kPa (10.7psi)

This product is suitable for transport in pressurised aircraft holds.

15. Troubleshooting

Symptom	Possible Cause	Solution	Section
Bath lift does not move. No sound from the motor.	• Battery is flat.	• Charge battery.	Section 2
	• Battery is not connected to hand control.	• Insert battery correctly into both tracks on hand control cradle and slide all the way to the end until it clicks.	Section 6
	• Not pressing correct area on hand control buttons.	• Press arrowhead on either UP or DOWN buttons. Continue to press.	Section 6
	• Faulty electronics in hand control.	• Contact supplier or authorised service/repair centre.	n/a
	• Battery fault.	• Contact supplier or authorised service/repair centre. Replace battery.	n/a
	• Actuator fault.	• Contact supplier or authorised service/repair centre.	n/a
Red light on hand control is on and bath lift only moves up.	• Battery is flat or has not been fully charged and Stop Descent™ has been activated to prevent the bath lift lowering.	• Charge battery immediately.	Section 2
Red light on hand control is on but bath lift does not move.	• Battery is flat and has not been charged for long period (typically 7-10 days).	<ul style="list-style-type: none"> • Charge battery immediately. • Charge battery before use if bath lift has not been used for long periods (typically 7-10 days). • Do NOT start bath with RED light on hand control. Charge immediately. • Ensure battery is placed on charge as soon as you finish your bath if FLASHING GREEN light appears on hand control. • When bath lift is not in use, leave battery connected to hand control. Disconnect only for charging or when moving bath lift. • It is recommended the battery be charged after each bath, wherever possible. 	Section 2/ Section 5 & Section 7
	• Battery fault.	• Contact supplier or authorised service/repair centre.	n/a

Symptom	Possible Cause	Solution	Section
Bath lift only moves intermittently.	• Battery is not fully charged.	• Charge battery.	Section 2
	• Excessive user load.	• Do not use bath lift if you weigh over 25st/160kg/350lbs.	Section 14
	• Bath lift has encountered obstruction during lifting, e.g. integral bath handles, soap dish.	• Lower bath lift, pull flaps free from obstruction, then resume lifting operation. • Fit side flap protectors to any integral bath handles.	Section 7
Battery does not appear to be charged.	• Power to charger is not switched on.	• Ensure charger plug is connected to power socket and switch on. Check for light indicator on charger box.	Section 2
	• Battery is not connected correctly to charging cradle.	• Insert battery correctly into both tracks on charging cradle and slide all the way to the end until it clicks.	Section 2
	• Battery has discharged before use.	• Ensure battery is disconnected from charging cradle when mains socket is switched off or when charger is removed from mains socket. • Charge battery after long periods of non-use (typically 7-10 days).	Section 2
	• Interruption to mains power supply/faulty mains socket.	• Check for charger indicator lights at alternative power socket. • Check if other electrical appliances are working.	n/a
	• Charger fault.	• Contact supplier or authorised service/repair centre.	n/a
	• Battery fault.	• Contact supplier or authorised service/repair centre.	n/a
Charger is plugged into power socket but charger indicator lights do not appear.	• Battery is not connected correctly to charging cradle.	• Insert battery correctly into both tracks on charging cradle and slide all the way to the end until it clicks.	Section 2
	• Charger fault.	• Contact supplier or authorised service/repair centre.	n/a

Symptom	Possible Cause	Solution	Section
No lights appear on hand control when buttons are pressed.	• Battery is not connected correctly to hand control.	• Insert battery correctly into both tracks on hand control and slide all the way to the end until it clicks.	Section 6
	• Faulty electronics in hand control.	• Contact supplier or authorised service/repair centre.	n/a
Suction feet will not stick to the bath surface.	• Front suction feet are located over rippled surfaces.	• Do not use bath lift.	Section 4
	• Bath surface is dirty/dusty or enamel is worn.	• Clean bath surface and underneath suction feet before installing bath lift.	Section 4
	• Suction feet are old or damaged.	• Contact supplier or authorised service/repair centre for replacements.	n/a
Bath lift tips backwards in highest position.	• Bath lift not stored properly after bath.	• Always lower bath lift to bottom of bath after use. (Check suction feet stick to bath before each use.)	Section 8
	• Front suction feet are located over rippled bath surface.	• DO NOT USE bath lift. Rippled surfaces prevent secure suction.	Section 4
	• Suction feet not sticking to dirty/dusty bath surface or worn enamel.	• Clean bath surface and underneath suction feet before pressing all 4 suction feet firmly onto bath.	Section 4
	• Old or damaged suction feet will not stick to bath surface.	• Contact supplier or authorised service/repair centre for replacements.	n/a

16. Accessories

The bath lift can be supplied with a wide range of optional accessories:

Accessory	Part No.
Cushioned cover set (back and seat)	A244
Provides even greater comfort.	



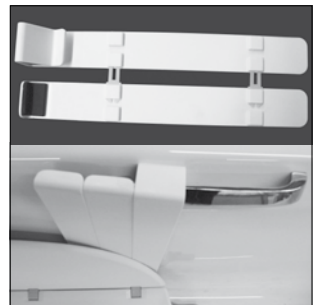
Accessory	Part No.
Pelvic harness	Adult - AB230 Child - AB229
Helps maintain body posture or prevents slipping.	



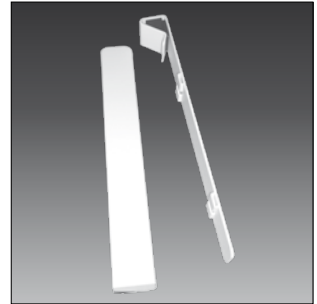
Accessory	Part No.
Slide and swivel aid	AB247
Facilitates transfer on and off the seat. Must be used with seat cover.	



Accessory	Part No.
Side flap protector extension kit (non-hooking)	AB287
Comprises 1 non-hooking side flap protector and 2 clips. Where a standard side flap protector cannot be moved further along an integral bath handle to enable the side flap to rest substantially over it, this kit enables an additional side flap protector to be attached beyond the end of the bath handle. This provides a substantial surface area for the side flap to glide smoothly over the bath handle. Use several kits to attach as many side flap protectors as required beyond the bath handle.	



Accessory	Part No.
Side flap protector	AB283
<p>Side flap protectors are available should your bath lift not sit far back enough in the bath to avoid integral handles. Supplied individually, the protector hooks onto a bath handle to prevent side flap from catching when raising the bath lift. Internal hook section is uniquely coated with slip-resistant rubber to limit movement along handle.</p>	



Accessory	Part No.
Side flap protector extension kit	AB284
<p>Comprises 1 side flap protector and 2 clips. By attaching one or more side flap protectors together, a wider side flap protector can be formed over an integral bath handle. This limits the possibility of movement along the handle or incorrect positioning. Use several kits to attach as many side flap protectors as required to fit the handle length.</p>	



Accessory	Part No.
Corner and wide bath kit	A164
<p>By extending the secure transfer platform between the seat and the edge of the bath to 285mm (11.22") (190mm/ 7.48" with standard side flaps), the bath lift can be placed right at the back of a corner bath to maximise legroom in this traditionally shorter-style bath.</p>	



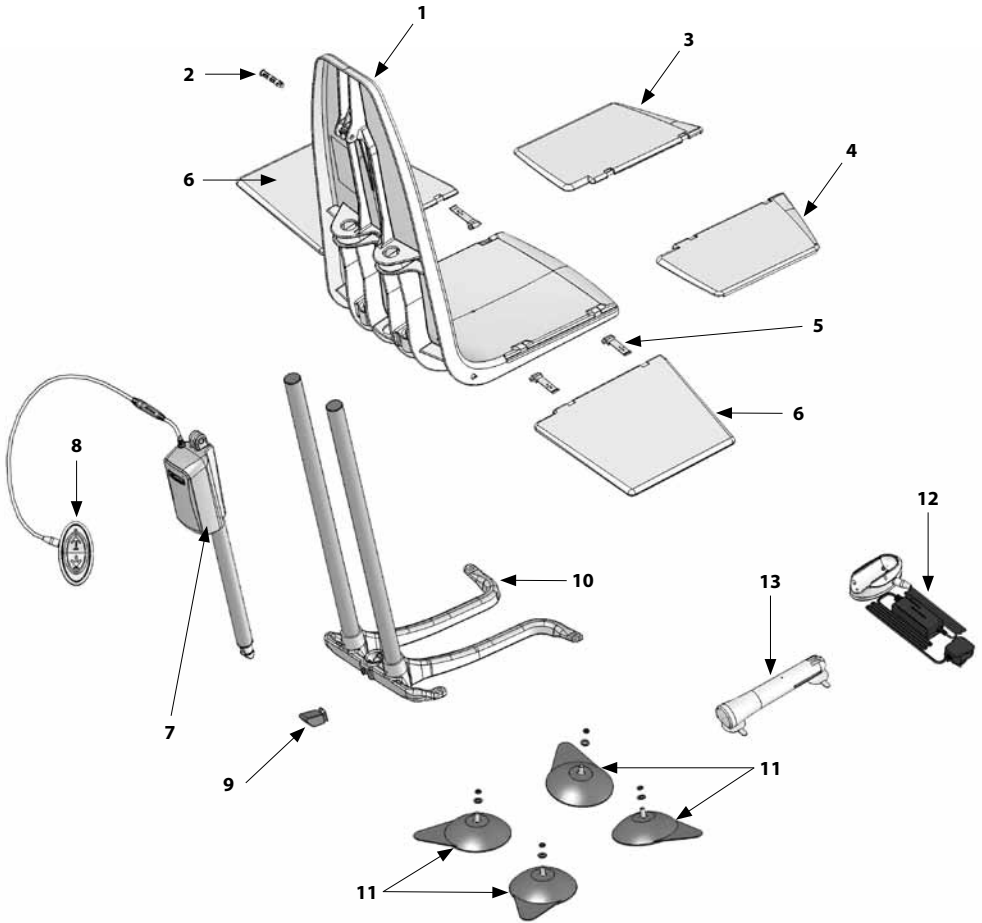
Accessory	Part No.
Carry bag	K901A
<p>Protects bath lift while travelling and facilitates transport.</p>	



17. Parts List

Item No.	Description	Part no.
1	Seat	A001
2	Actuator Snap Pin	AB003
3	Std Side Flap (left)	A002L
4	Std Side Flap (right)	A002R
5	Hinges (4)	A003
6	Corner and Wide Bath Kit	A164
7	Actuator	BB3004

Item No.	Description	Part no.
8	Hand Control NIMH	AB105
9	Support Block	A014
10	Base Frame	A007
11	Suction Foot	K504
12	Smart Charger NIMH	CU-3000
13	Battery	A230



® Tunstall and Lifeline are registered trademarks of Tunstall Group Limited.

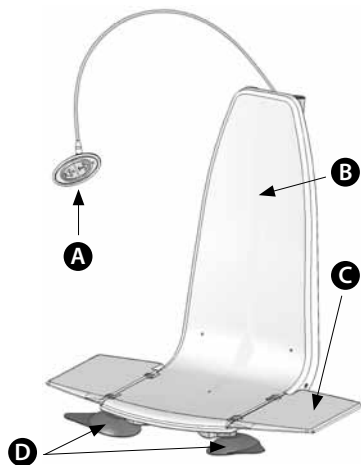
Mountway Limited reserve the right to alter specifications to products or packaging at any time.

Diagram sheet

Figures

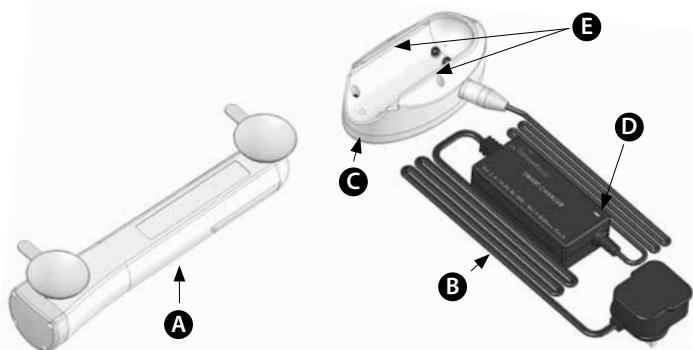
1

- A** Hand control
- B** Bath Lift
- C** Side flap
- D** Suction feet



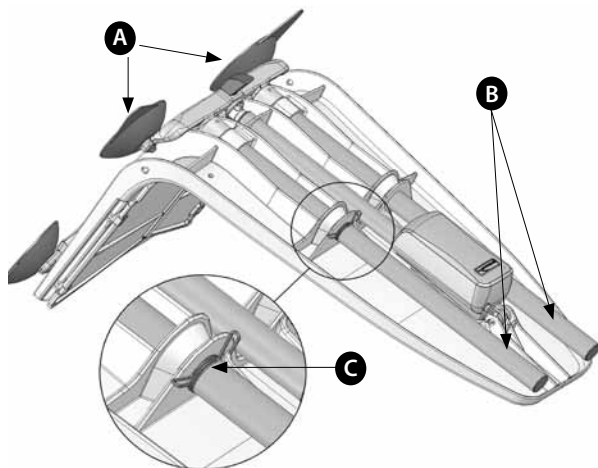
2

- A** Battery
- B** Charger
- C** Charging cradle
- D** Light indicator
- E** Tracks



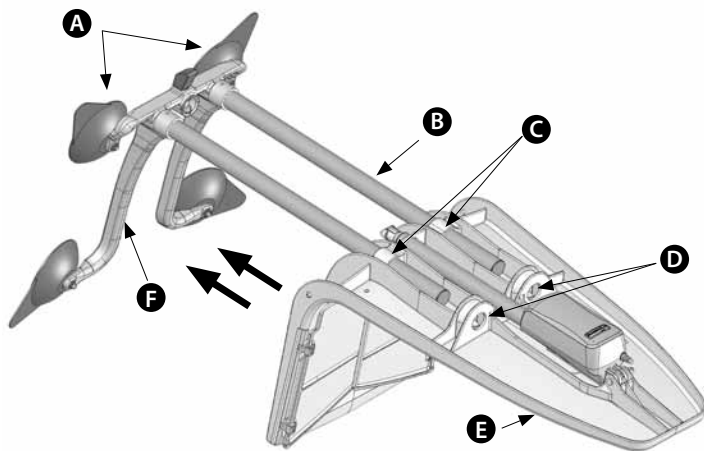
3

- A** Rear suction feet
- B** Aluminium tubes
- C** Transportation clip



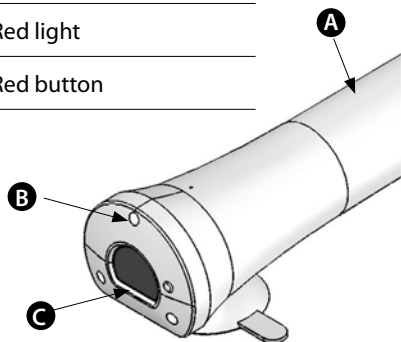
4

- A** Rear suction feet
- B** Aluminium tube
- C** Lower holes
- D** Upper holes
- E** Seat
- F** Base frame



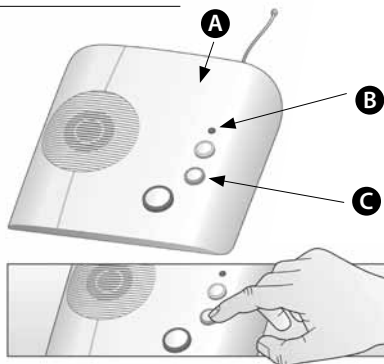
5

- A** Telecare-enabled battery
- B** Red light
- C** Red button



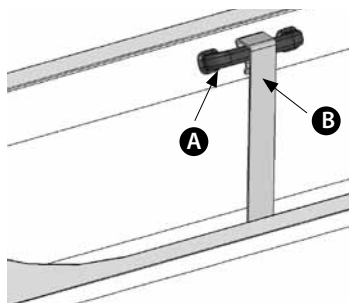
6

- A** Lifeline Connect+
- B** Red button alarm
- C** Green cancel key



7

- A** Integral bath handle
- B** Side flap protector



8

A Actuator casing

B Upper holes

C Actuator

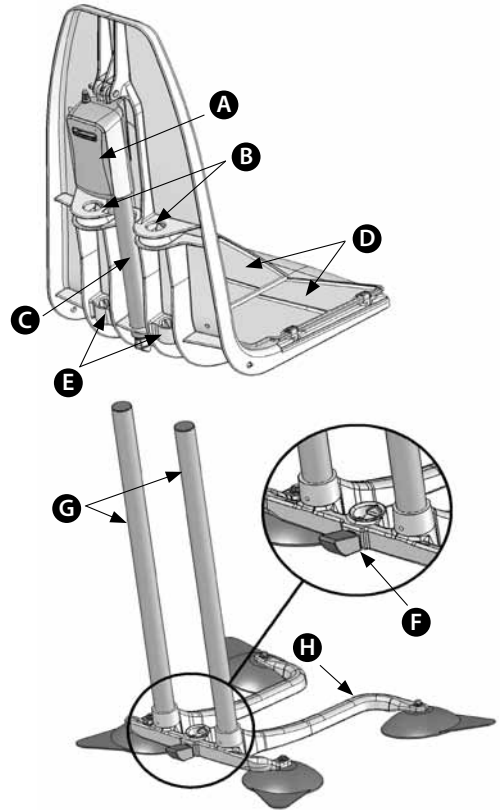
D Side flaps

E Lower holes

F Support block

G Aluminium tubes

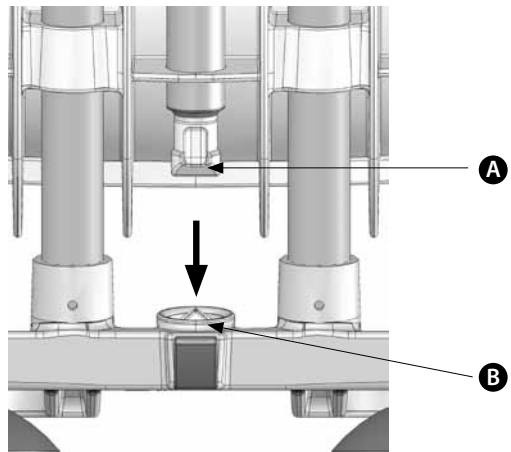
H Base Frame



9

A Actuator end

B Base frame socket

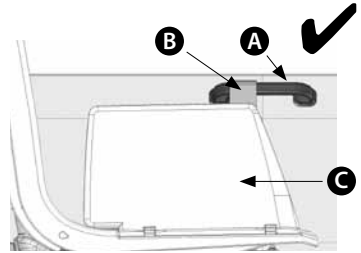
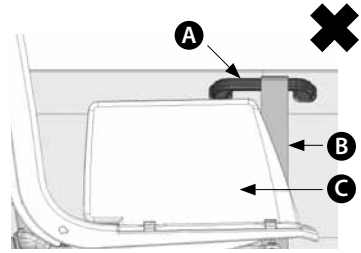


10

A Integral bath handle

B Side flap protector

C Side flap

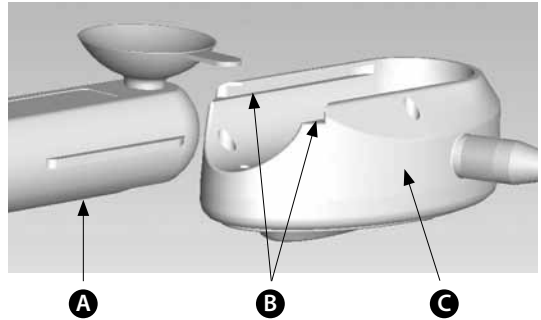


11

A Battery

B Tracks

C Hand control



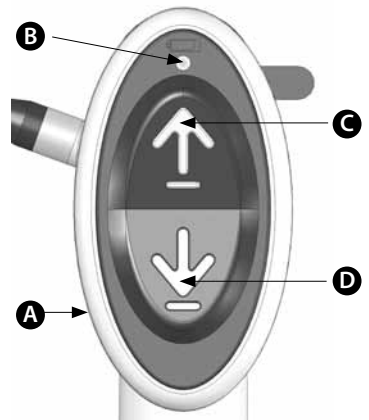
12

A Hand control

B Battery status indicator

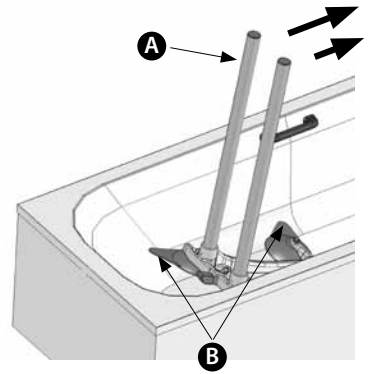
C Up

D Down



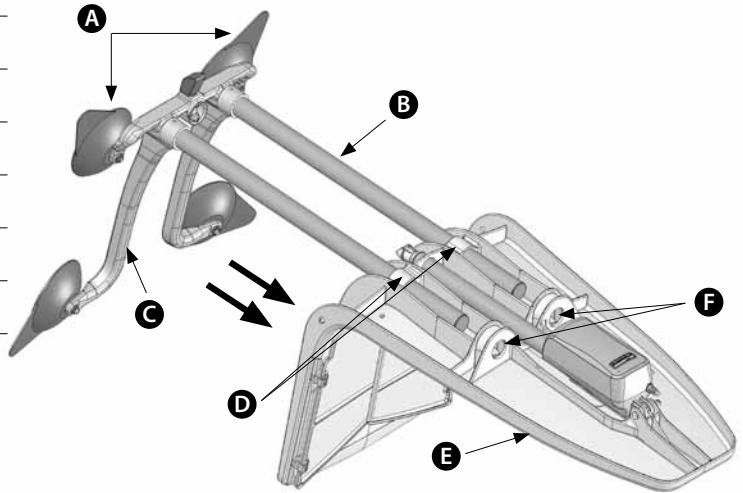
13

- A** Aluminium tube
- B** Suction release tag



14

- A** Rear suction feet
- B** Aluminium tube
- C** Base Frame
- D** Lower holes
- E** Seat
- F** Upper holes



15



REF

ML1021
01: 04/11

© **Mountway Limited 2011**

Tafarnaubach Ind. Est. Tredegar NP22 3AA UK
tel +44 (0)1495 723300 **fax** +44 (0)1495 723360

freephone 0800 014 1852

e-mail mail@mountway.co.uk

www.mountway.com

