

Mangar
INTERNATIONAL

user instructions and warranty

handy pillow lift

freedom

through lightweight solutions

The Handy Pillow Lift:

- Provides adjustable back support for people who require to sleep in a more upright position.
NOTE: Do not use the Handy Pillow Lift. when for medical reasons it is critical that an upright sleeping position is maintained (See 'WARNINGS').
- Provides assistance for those with limited upper body strength wishing to lift themselves to a reclined or sitting position.
- Can be used simply as a means of providing additional comfort.

The Handy Pillow Lift has been designed to fit on any bed without the need for securing straps. Power is provided by the Mangar International Airflo Compressor. **PLEASE READ** the separate Airflo compressor instructions.

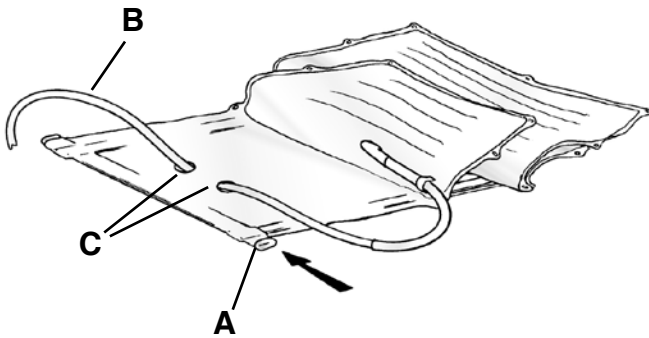


WARNING

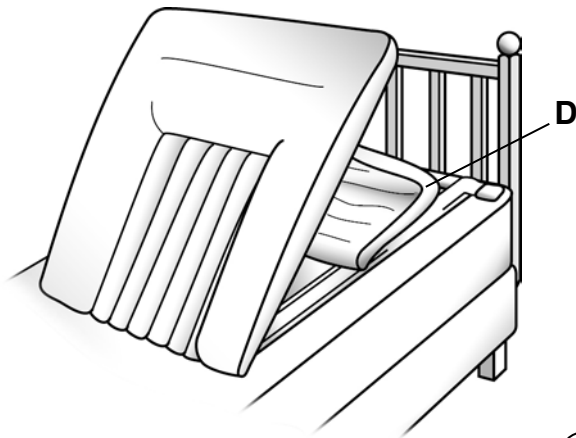
Standard Contents

- 1 x Handy Pillow Lift
- 1 x Pillow Lift Quilt
- 1 x Pillow Lift Cover
- 1 x Spreader Bar
- 1 x User Instructions.

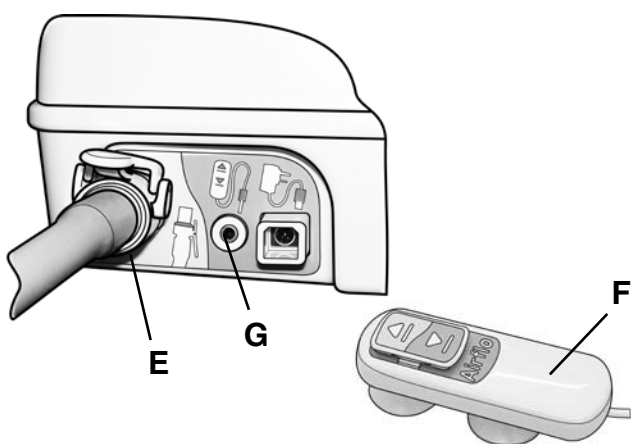
- Ensure that you have read and fully understand these and the separate Airflo user instructions before using the equipment.
- Where a medical condition dictates that an upright sleeping position is critical, the Handy Pillow Lift must not be used as an air leak in the system would cause the backrest to loose height.
- Do Not use any other air supply to inflate the Handy Pillow Lift.



①



②

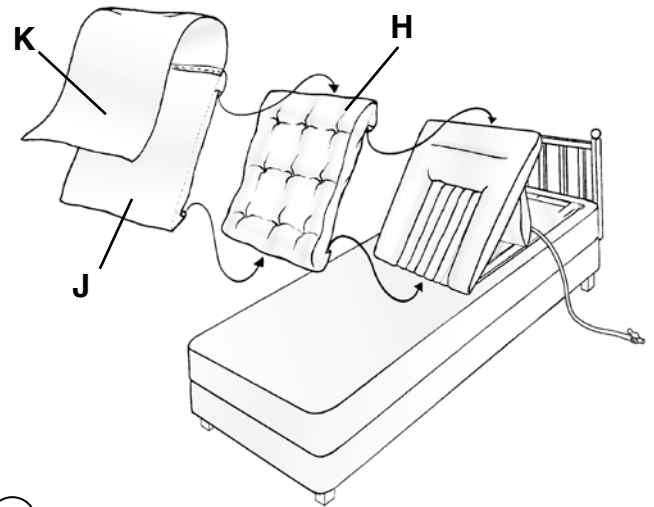


③

Fitting Instructions

- Fit the Spreader Bar (**A** fig. 1) through the pocket on the base of the Handy Pillow Lift.
- The air hose (**B**), can be led to either side of the bed, depending on where the compressor is to be placed. If the hose is to be led to the left hand side of the bed (as you lie on the bed), the hose needs to pass through the two holes as indicated (**C**).
- Remove the pillows from the bed and place the Handy Pillow Lift on the bed with the Spreader Bar positioned up against the headboard. Fold the strut (**D** fig.2) towards the headboard.
- Connect the air hose from the Handy Pillow Lift to the compressor air outlet socket (**E** fig. 3).
- Connect the Push Button Hand Control (**F**) to the socket (**G**).
- Place the Airflo by the side or under the bed, in an out of the way position.
- Partially inflate the Handy Pillow Lift by pressing 'up' on the hand control (see separate Airflo instructions).

- Fit the Quilt (**H** fig.4) to the Handy Pillow Lift by inserting the top and bottom of the Handy Pillow Lift into the pockets at the top and bottom of the Quilt.
- Fit the Cover (**J**) over the Quilt in the same way as fitting the Quilt, ensuring that the Flap (**K**), is positioned at the top.



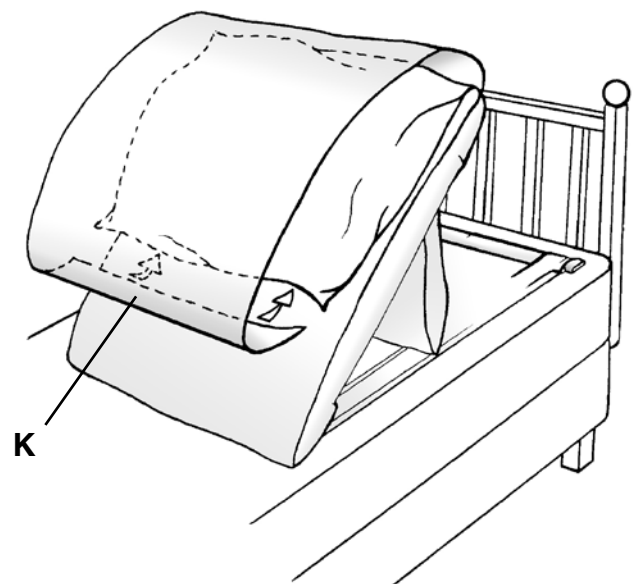
④

- Position your pillow on the Handy Pillow Lift as indicated (fig. 5) and wrap the flap (**K**) completely around the pillow to hold it in place.

Operating Instructions

- To raise the Handy Pillow Lift, press 'Up' ▲ on the hand control.
- To stop at any point, release the 'Up' button.
- To lower the Handy Pillow Lift, press "Down" ▼ on the hand control.

FOR YOUR SAFETY: Keep the compressor, the air hose and the hand control tidy and easy to reach.



⑤

Routine Cleaning

Remove the cover and quilt and inflate the Handy Pillow Lift. Sponge clean with a detergent solution and dry thoroughly. **Do not dry using hot air.** The cover can be machine washed up to 40°C; low heat tumble dried and medium heat ironed. Do Not dry clean or use bleach. Restrict the quilt washing temperature to 40°C for maximum product life.

Disinfecting

The quilt and cover should be removed and the Handy Pillow Lift be fully inflated. The Handy Pillow Lift should be pre-cleaned by washing with detergent and water and then disinfected using either buffered hypochlorite (such as ‘Milton’ solution) or a hard surface, alcohol impregnated wipe. **Do not dry using hot air.**

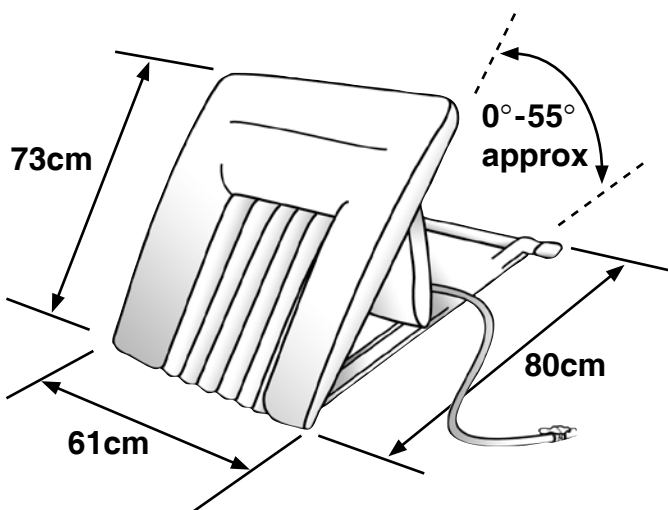
Storage

Ensure that the Handy Pillow Lift is thoroughly dry before storing. Store deflated in a dry place. Keep these instructions in a safe place for future reference.

Maintenance

Other than routine cleaning and disinfecting, the Handy Pillow Lift is maintenance free.

We recommend that a thorough examination of the Handy Pillow Lift is carried out regularly (not to exceed 12 months). Please contact our Customer Service Department for further details or contact your local supplier (**See page 6 for further information**).



Specifications:

- Max. User weight: 135kg. (Use with heavier persons will not damage the product, but full lift may not be achieved).
- Weight of HPL: 2kg
- Inflated Width: 61cm
- Deflated width: 71cm
- Length: 80cm
- Backrest Length: 73cm
- Backrest Angle: 0° to 55° approx.
- Max. Pressure: 0.35 bar (5 psi)
- Air Hose Length: 1.8m
- Fabric: PU Coated Nylon

Warranty

The guarantee is given against defects in material and workmanship and comprises piece, parts and labour. The guarantee is not valid in the case of fair wear and tear, wilful damage, common neglect, misuse or unauthorised alteration or repair by unqualified persons.

The following statements do not affect the consumer's statutory rights. This product is sold on the understanding that in the event of any defect of manufacture or material appearing within the warranty period, the defect will be rectified free of charge providing that:

- (a) Reasonable evidence is provided (e.g. purchase invoice, delivery note) that the claim is being made within the warranty period.
- (b) The defect is not attributable to accidental damage (either in transit or otherwise), misuse or unauthorised repair.

Handy Pillow Lift serial number:
Date of purchase:
Invoice/Delivery note number:

We strive to provide our customers with reliable and durable products of the highest quality. In addition to our standard warranty, and for added peace of mind, our Customer Service Department offers an **Annual Service and Clean package**.

To find out more about this service please call our Customer Service Department on **Freephone 0800 2800 485**.

Mangar International reserves the right to alter product specifications and/or any of the information contained within this document without notice.

DECLARATION OF CONFORMITY

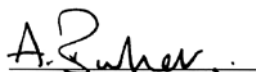
This is to certify that:-

Handy Pillow Lift - HP0007

complies with:-

The requirements for Class 1 devices of the Medical Devices Directive 93/42/EEC as amended by 2007/47/EC

Signed:



Date: October 2009

A. Barker Managing Director

Mangar International
Prestegne, Powys, Wales, UK. LD8 2UF
tel: +44 (0)1544 267674
fax: +44 (0)1544 260287
headoffice@mangar.co.uk
www.mangarinternational.co.uk



freedom through lightweight solutions

Mangar
INTERNATIONAL

Mangar International

Presteigne

Powys

Wales, UK

LD8 2UF

tel: +44 (0)1544 267674

fax: +44 (0)1544 260287

customerservice@mangar.co.uk

www.mangar.co.uk

Patents Pending



MI0036 issue 8
(10/12)