

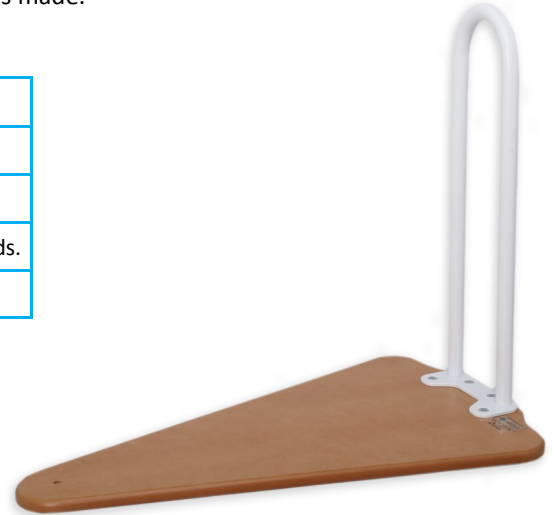
Bed Lever MF 3/1AN-CC

Narrow Loop Handle with Cord and Cleat - resists head traps

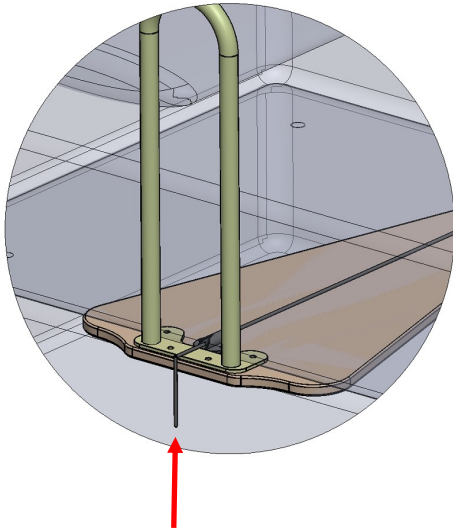


Placed between the mattress and the base of your bed, the Bed Lever provides a useful handhold to assist you on and off your bed safely. Correct fitting is essential to the safe use of this product. Take care to read the fitting instructions and ensure that it is refitted the same way every time the bed is made.

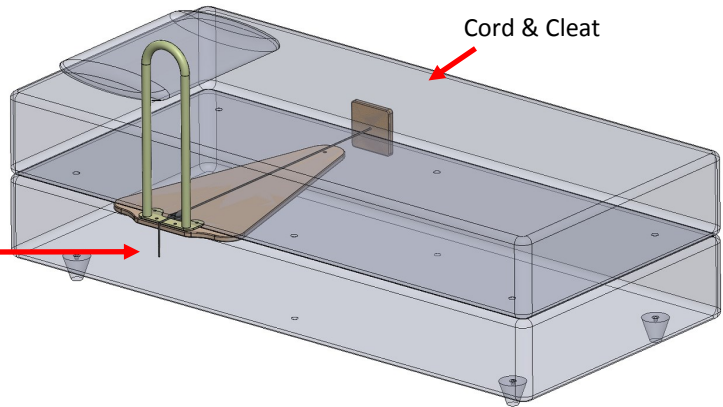
Max user weight	150kg
Loop size	550 H x 117 W (between the vertical tubes)
Base size	460 W x 835 L x 16 D (all measurements in mm)
Suits bed types	Divan & Inner-sprung beds (all sizes). Does not suit profile beds.
Cleaning	Clean with a soft cloth moistened with soapy water.



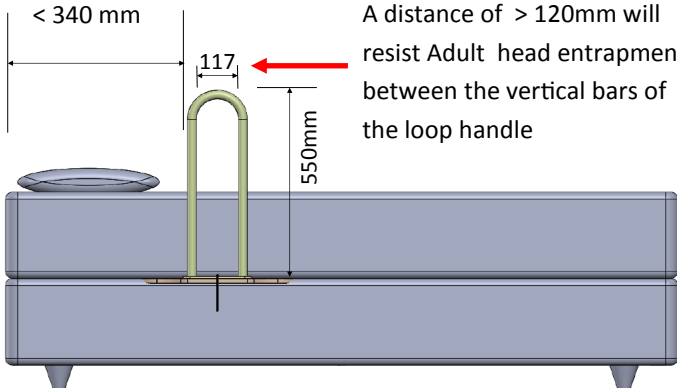
MF 3/1AN-CC



Cord & Cleat can be released by pulling on the cord where it extends under the handle. This means the Bed Lever can be:
 1/. Easily removed in an emergency.
 2/. Easily refitted each time the bed is made.



Keep the Loop handle away from the pillow < 340 mm



A distance of > 120mm will resist Adult head entrapment between the vertical bars of the loop handle

Clamping the Bed Lever to the mattress using the Cord & Cleat will ensure no entrapment gap opens between the mattress and the Loop.

